
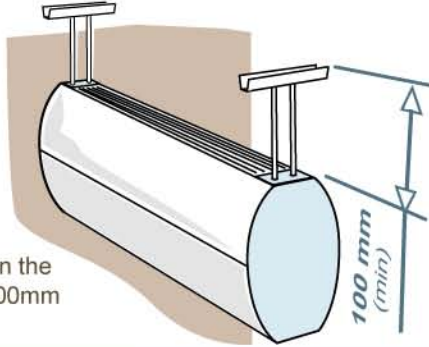


1 Carefully remove packing from air curtain

2  Check the overall weight of the unit to ensure safe handling and that the structural wall or ceiling supports are sufficient

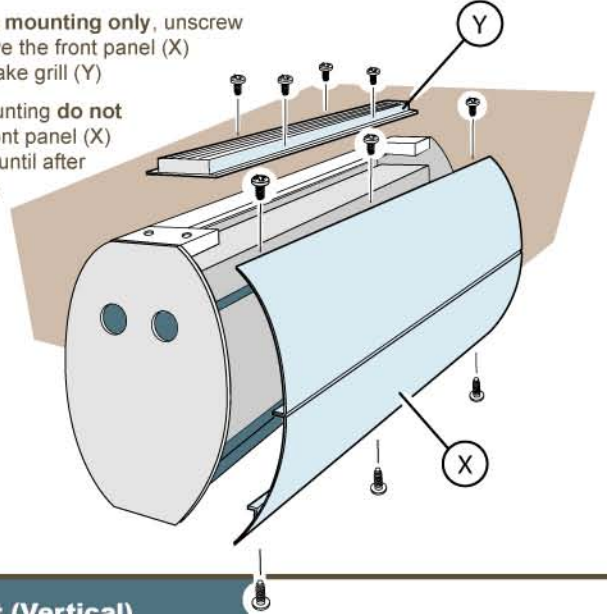
3 Ensure installation can be performed in such a way that on completion the air inlet and outlet grills are free from obstruction

Minimum clearance between the ceiling and air inlet grill is 100mm



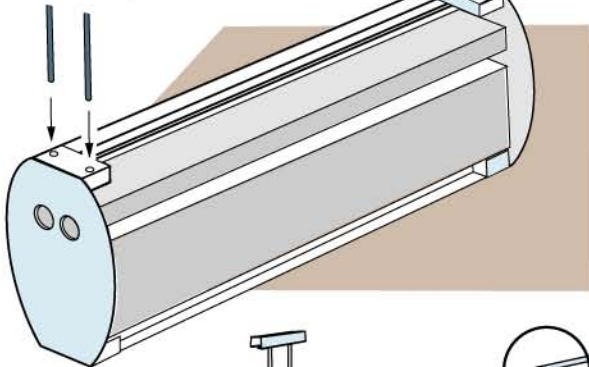
4 Fix the unit securely to the ceiling or floor *
*(Floor mounted units are fixed vertically and supplied with integrated brackets)

- for ceiling mounting only, unscrew and remove the front panel (X) and air intake grill (Y)
- if floor mounting do not remove front panel (X) or grill (Y) until after installation

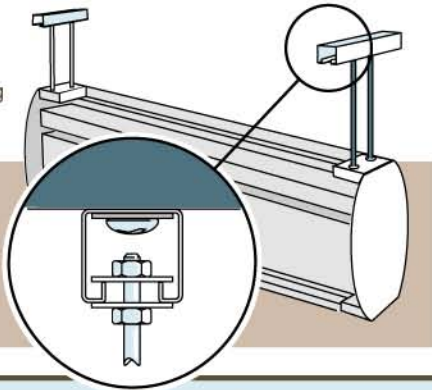


Ceiling Mount

- refer to the model tables and illustrations on Pages 2 and 3, fix drop-rod brackets to ceiling (brackets not supplied)
- insert M8 drop-rods into the threaded holes on the top of the unit

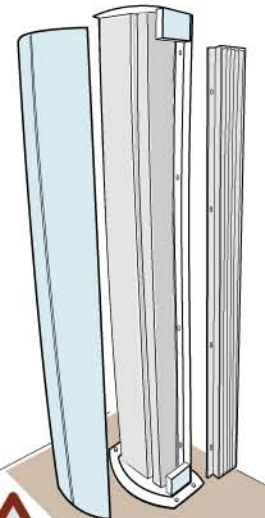
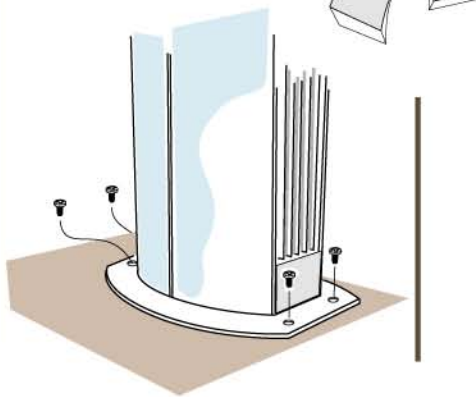


- secure the unit to ceiling brackets and adjust as necessary



Floor Mount (Vertical)

- refer to the model tables and illustrations on Pages 2 and 3 and drill mounting holes
- secure unit to floor
- the cover and grill should now be removed for services or connections



5 Electrical connections can now be made

Load requirements will vary according to model and whether electrically heated or otherwise. In the case of electrical heaters, these are available in 380/400/415V 3ph (&N) only, all other units are 1ph unless specified. Please check relevant circuit diagram when installing. Circuits must be protected with a suitable fuse and the appliance earthed. All electrically heated air curtains are protected with thermal safety auto and manual cut-outs.

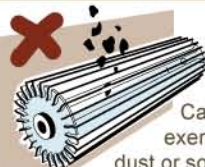
You must ensure that the electrical cable installed is capable of taking the load indicated on the appropriate wiring diagram or table



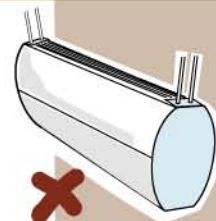
The units should be wired by a competent electrician and be in accordance with the latest I.E.E. wiring regulations

Caution

Dynamically balanced fan scroll. Do not subject to impact during unpacking or installation

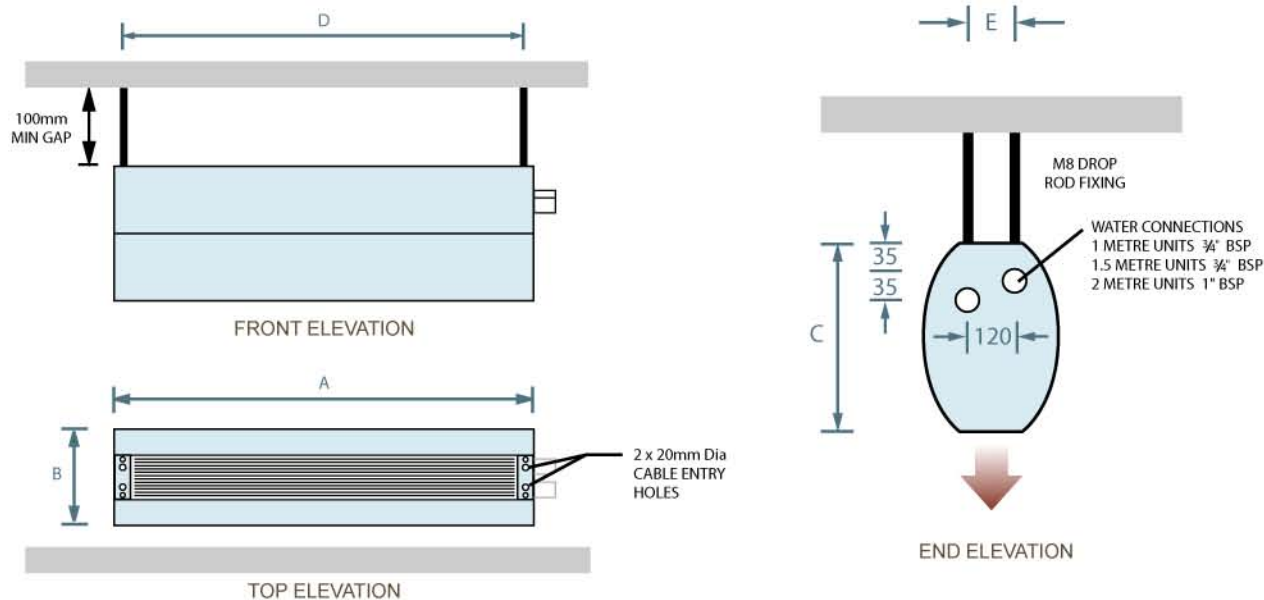


Care should be exercised in preventing dust or solid material from entering the fan scroll

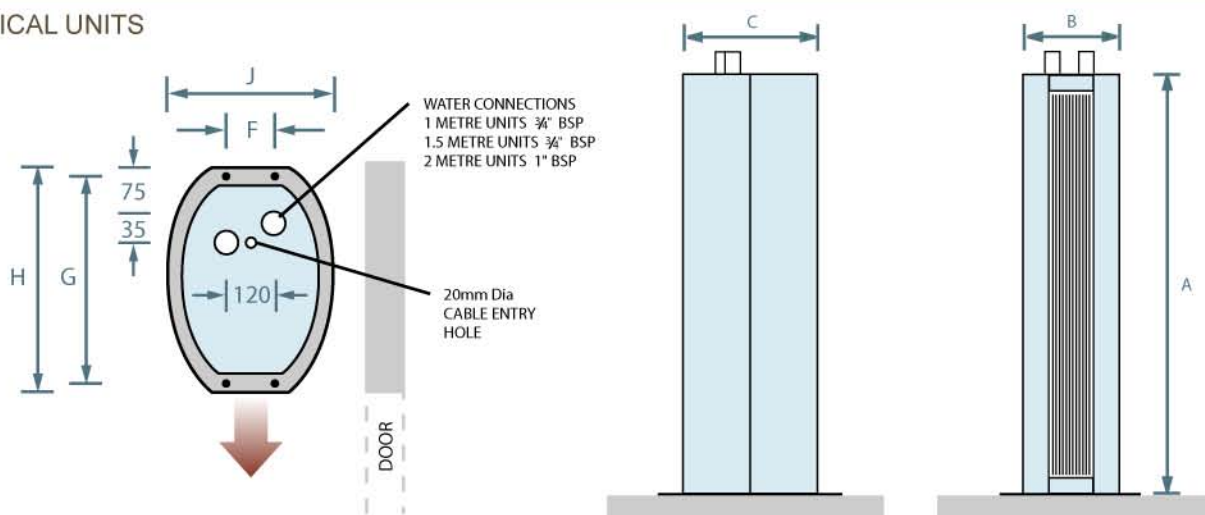


Avoid damage or distortion to the unit, particularly when connecting services.

Fixing Details



VERTICAL UNITS



Technical Details

Model	Heat Output kW	Input Amps	Voltage	Max air vol m3/h	Noise level dB (a)	Weight Kg
ACD 100SSE	8	12*	380/3ph	1290	55	35
ACD 100SSW	10	0.52	220/1ph	1290	55	37
ACD 150SSE	12	17*	380/3ph	2100	57	55
ACD 150SSW	15	0.52	220/1ph	2000	57	60
ACD 200SSE	16	24*	380/3ph	2590	60	75
ACD 200SSW	20	1.04	220/1ph	2400	60	80

*per ph Suitable for 240/415V supply.

LTHW at 80/60°C

DIMENSIONS

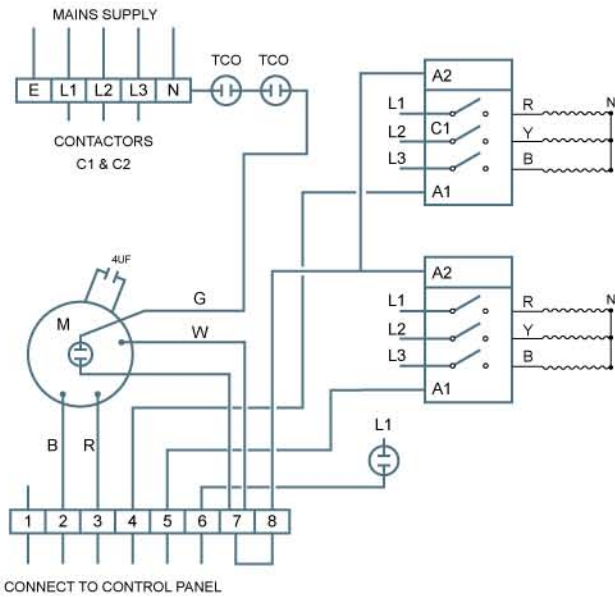
Model	Unit Dimensions		
	A mm	B mm	C mm
ACD 100SSE	1200	270	350
ACD 100SSW	1200	270	350
ACD 150SSE	1700	270	350
ACD 150SSW	1700	270	350
ACD 200SSE	2200	270	350
ACD 200SSW	2200	270	350

FIXING DETAILS

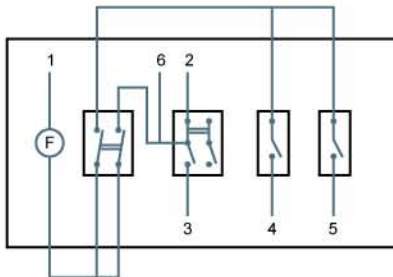
Model	Unit Fixing Positions					
	D mm	E mm	F mm	G mm	H mm	J mm
ACD 100SSE	1150	110	110	390	430	350
ACD 100SSW	1150	110	110	390	430	350
ACD 150SSE	1650	110	110	390	430	350
ACD 150SSW	1650	110	110	390	430	350
ACD 200SSE	2150	110	110	390	430	350
ACD 200SSW	2150	110	110	390	430	350

Wiring Diagrams

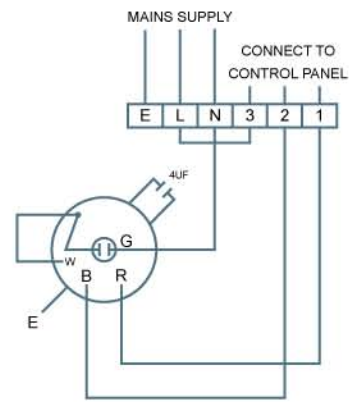
ELECTRIC HEATING UNITS



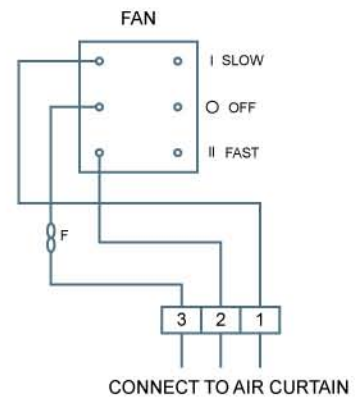
ELECTRIC CONTROL PANEL



AMBIENT/WATER UNITS



AMBIENT/WATER UNITS CONTROL PANEL



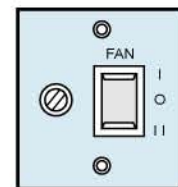
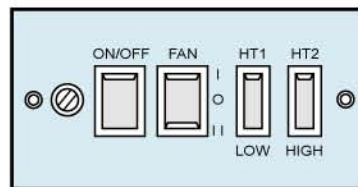
Operating Instructions

Air Curtains are supplied with remote control panels as standard. These can either be flush or surface mounted.

Ambient and water heated units have a three position switch giving slow fan speed / off / fast fan speed.

Electrically heated units are supplied with an extra two heat switches offering low heat / high heat.

Each control panel can be used to control single or multiple units.



Other control options:

Ambient / Water Units - To install a thermostat, door switch, divert valves or a time clock, remove the link between terminals L and 3 and connect control device(s).

Electric Unit - To install a thermostat remove the link between terminals 7 and 8 and connect control device.

Facilities for the following items are available on request:

- 24V Relay for Enable / Disable Signal
- 220V / 230V Fault Signal
- Time Clock
- Fan Over Run Timer

Routine Maintenance

Electrically isolate the air curtain before removing the cover.

After six months the fan should be inspected to ensure there is no build up of dirt or other deposits on the impeller/ motor, electric heater/ water coil. Thereafter it should be checked periodically as experience indicates.

Check security of fixings during routine maintenance.

II Air Curtain fans have sealed for life bearings and no further lubrication is required.