
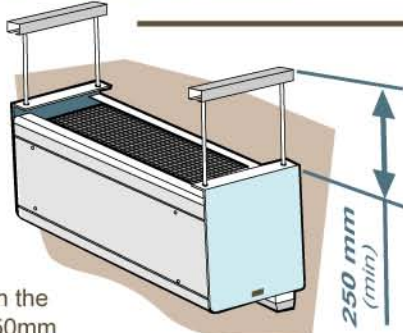


1 Carefully remove packing from air curtain

2  Check the overall weight of the unit to ensure safe handling and that the structural wall or ceiling supports are sufficient

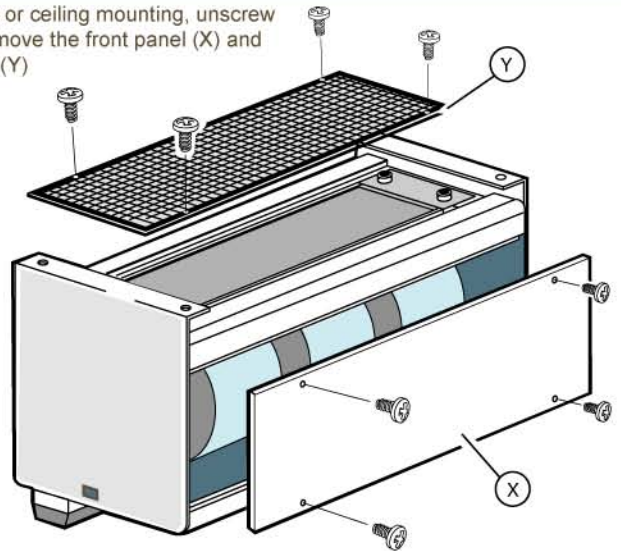
3 Ensure installation can be performed in such a way that on completion the air inlet and outlet grills are free from obstruction.

Minimum clearance between the ceiling and air inlet grill is 250mm

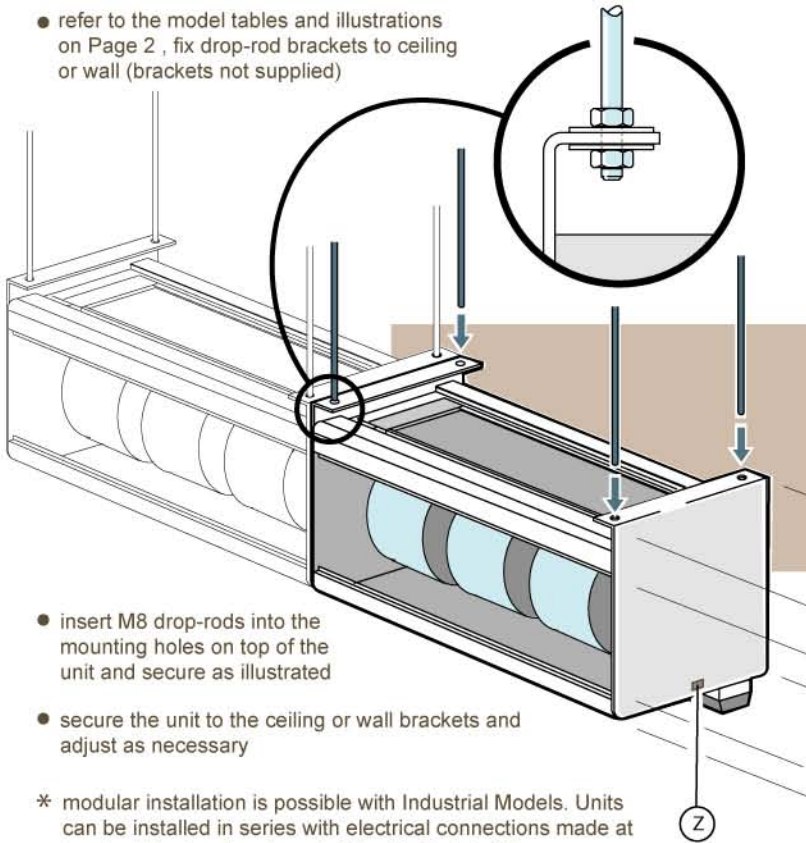


4 Fix the unit securely to the wall or ceiling

• for wall or ceiling mounting, unscrew and remove the front panel (X) and air grill (Y)



• refer to the model tables and illustrations on Page 2, fix drop-rod brackets to ceiling or wall (brackets not supplied)



• insert M8 drop-rods into the mounting holes on top of the unit and secure as illustrated

• secure the unit to the ceiling or wall brackets and adjust as necessary

* modular installation is possible with Industrial Models. Units can be installed in series with electrical connections made at terminal blocks at each end of the Air Curtain. (Z)

5 Electrical connections can now be made

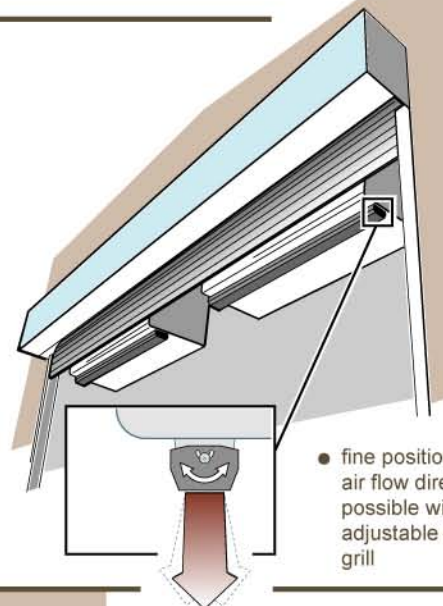
Load requirements will vary according to model and whether electrically heated or otherwise. In the case of electrical heaters, these are available in 380/400/415V 3ph (&N) only, all other units are 1ph unless specified. Please check relevant circuit diagram when installing. Circuits must be protected with a suitable fuse and the appliance earthed. All electrically heated air curtains are protected with thermal safety cut-outs. these will automatically reset. You must ensure that the electrical cable installed is capable of taking the load indicated on the appropriate wiring diagram or table.

The units should be wired by a competent electrician and be in accordance with the latest I.E.E. wiring regulations



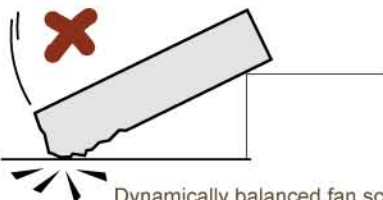
6 Refit the front panel and air grill

7



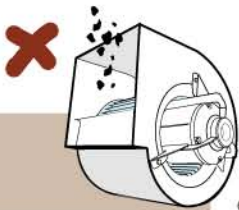
• fine positioning of the air flow direction is possible with the adjustable air outlet grill


Caution

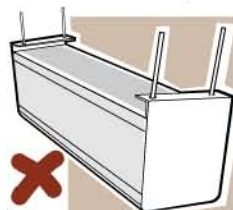


Dynamically balanced fan scroll. Do not subject to impact during unpacking or installation

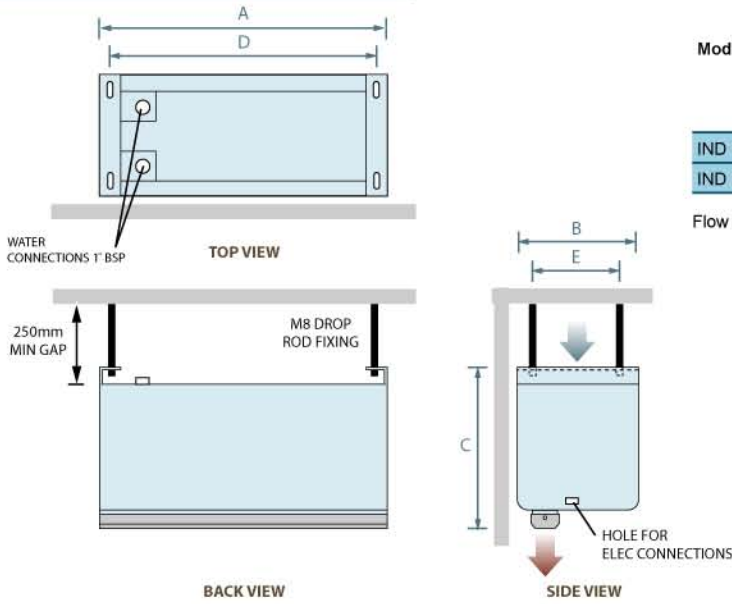
Avoid damage or distortion to the unit, particularly when connecting services.



Care should be exercised in preventing dust or solid material from entering the fan scroll



Technical Details



Model	Motor rating FLC R/LOAD A	Velocity m/s Max	Volume m3/h Max	Heat Load kW	Temp Rise Deg C	Water flow rate l/s	LPHW pressure drop kPa	Pipe size BSP
IND 100	11 9	20	5000	27	18/20	.5	2.4	1"
IND 150	17 13	20	7500	41	18/20	.8	2.6	1"

Flow rate based on 80/60 assuming air on at 16 deg C.

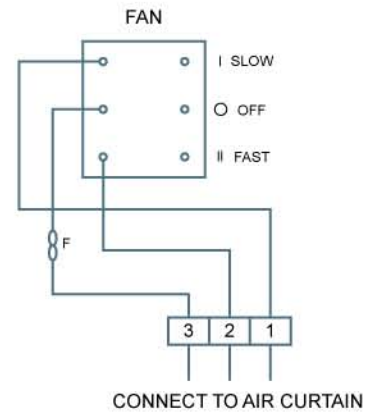
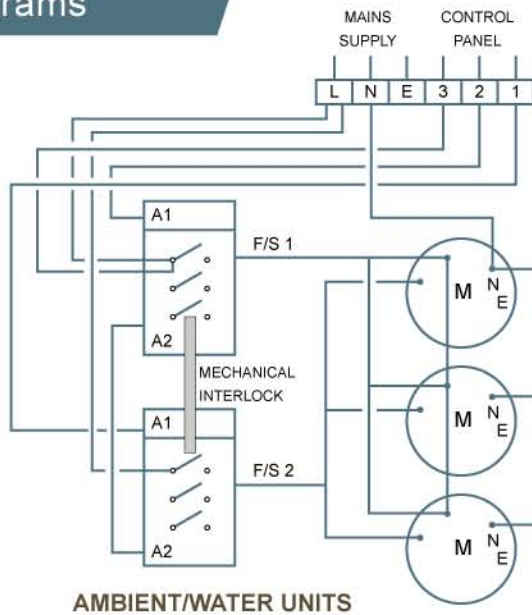
DIMENSIONS

Model	Unit Dimensions		
	A mm	B mm	C mm
IND 100	1080	700	600
IND 150	1580	700	600

FIXING DETAILS

Model	Unit Fixing Positions	
	D mm	E mm
IND 100	1030	450
IND 150	1530	450

Wiring Diagrams

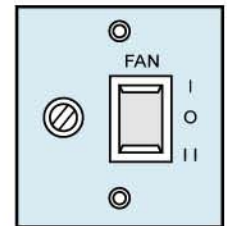


Operating Instructions

The IND unit is supplied with a remote speed control panel as standard.

Each control panel can be used to control single or multiple units.

A door switch can also be supplied.



2-SPEED CONTROLLER

Routine Maintenance

Electrically isolate the air curtain before removing the cover.

After six months the fan should be inspected to ensure there is no build up of dirt or other deposits on the impeller/ motor. Thereafter it should be checked periodically as experience indicates.

Check security of fixings during routine maintenance.

All Air Curtain fans have sealed for life bearings and no further lubrication is required.