
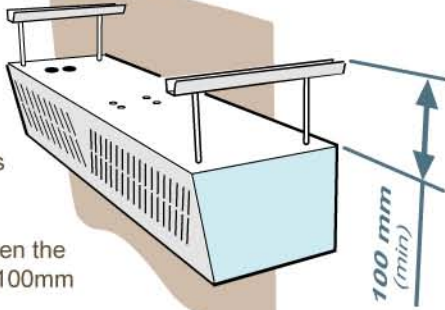


**1** Carefully remove packing from air curtain

**2**  Check the overall weight of the unit to ensure safe handling and that the structural wall or ceiling supports are sufficient

**3** Ensure installation can be performed in such a way that on completion the air inlet and outlet grills are free from obstruction.

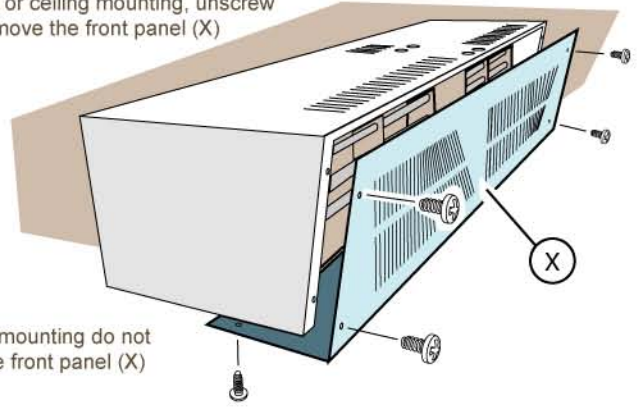
Minimum clearance between the ceiling and air inlet grill is 100mm



**4** Fix the unit securely to the wall, ceiling or floor

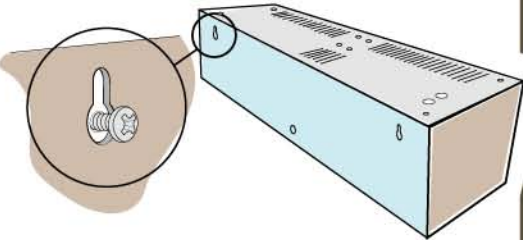
• for wall or ceiling mounting, unscrew and remove the front panel (X)

• if floor mounting do not remove front panel (X)



## Wall Mount

- refer to the model tables and illustrations on Pages 2 and 3 and drill upper and lower mounting holes
- insert N° 6 screws in the upper holes and mount the unit on them

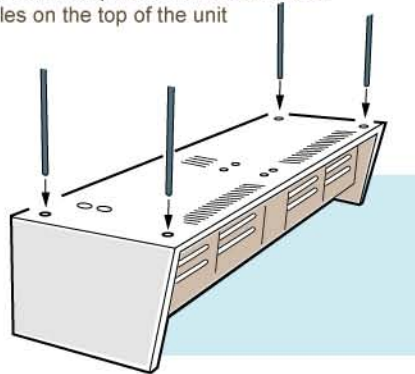


- firmly secure the unit to the wall with a screw in each lower mounting hole

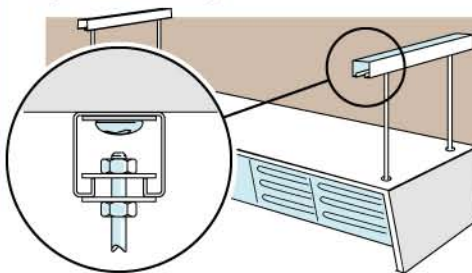


## Ceiling Mount

- refer to the model tables and illustrations on Pages 2 and 3, fix drop-rod brackets to ceiling (brackets not supplied)
- insert M8 drop-rods into the threaded holes on the top of the unit

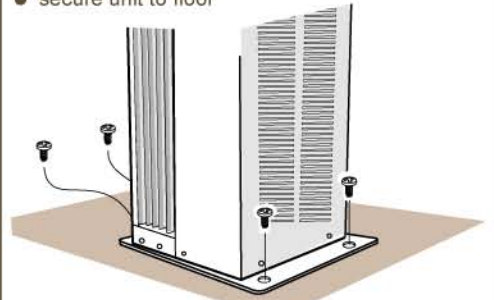


- secure the unit to ceiling brackets and adjust as necessary



## Floor Mount

- refer to the model tables and illustrations on Pages 2 and 3 and drill mounting holes
- secure unit to floor



- to prevent accidental damage, use top bracket provided to secure unit to wall



- the cover should now be removed

**5** Electrical connections can now be made

Load requirements will vary according to model and whether electrically heated or otherwise. In the case of electrical heaters, these are available in 380/400/415V 3ph only, all other units are 1ph unless specified. Please check relevant circuit diagram when installing. Circuits must be protected with a suitable fuse and the appliance earthed. All electrically heated air curtains are protected with thermal safety cut-outs. these will automatically reset. You must ensure that the electrical cable installed is capable of taking the load indicated on the appropriate wiring diagram or table.

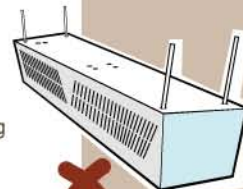


The units should be wired by a competent electrician and be in accordance with the latest I.E.E. wiring regulations

## Caution

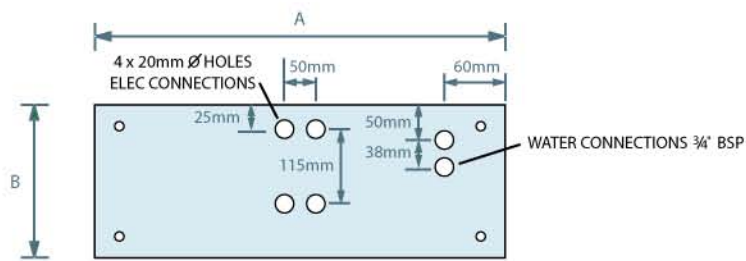
 Dynamically balanced fan scroll. Do not subject to impact during unpacking or installation

 Care should be exercised in preventing dust or solid material from entering the fan scroll

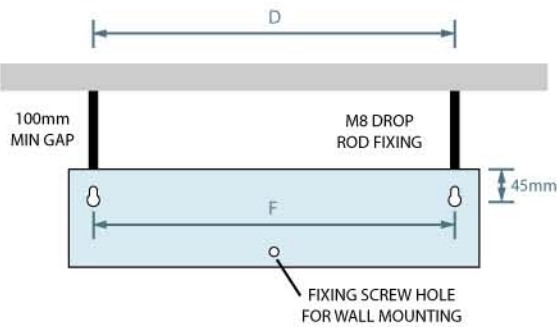


Avoid damage or distortion to the unit, particularly when connecting services.

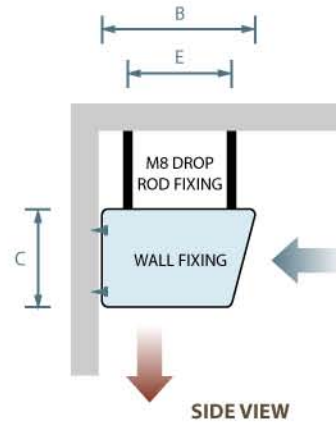
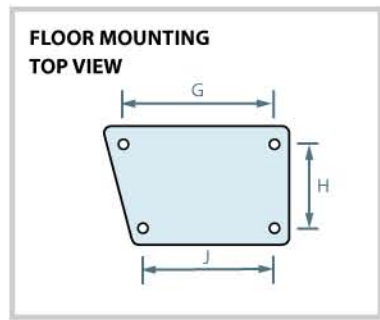
## Fixing Details



TOP VIEW



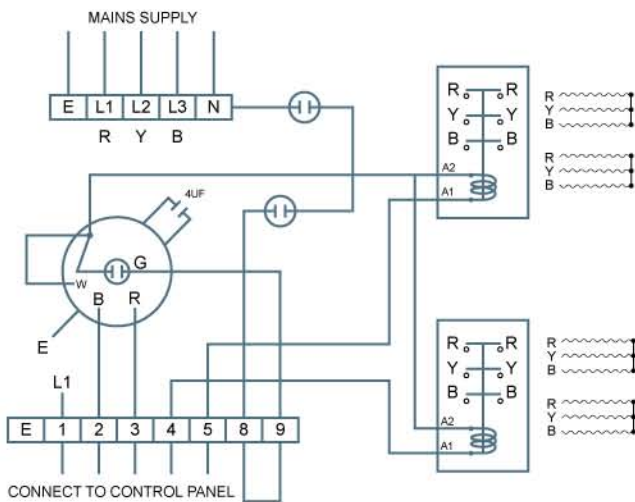
BACK VIEW



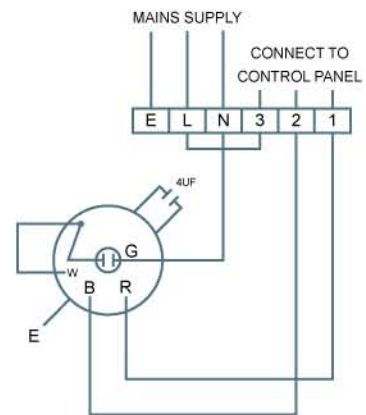
SIDE VIEW

## Wiring Diagrams

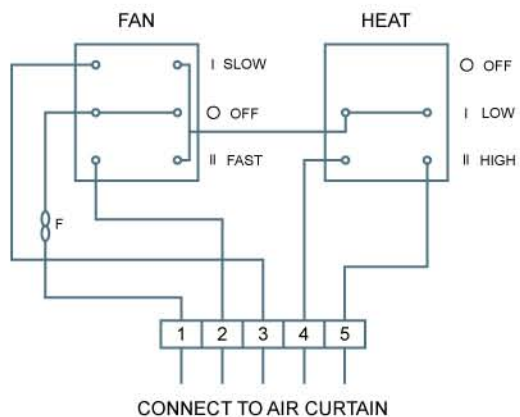
### ELECTRIC HEATING UNITS



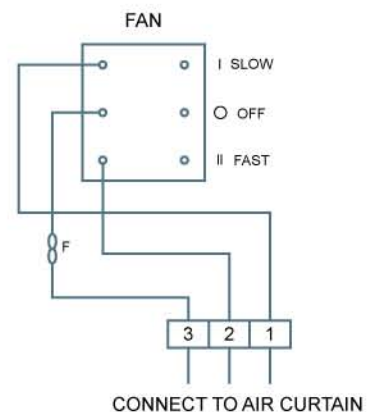
### AMBIENT/WATER UNITS



### ELECTRIC CONTROL PANEL



### AMBIENT/WATER UNITS CONTROL PANEL



## Technical Details

Model	Heat output	Max current	Motor power	Voltage	Max air vol m3/h	Max height	Noise level d(B)A	Weight Kg
HD 10A	-	1.39A	180W	220/1ph	1810	4m	69/66	25
HD 10W	11Kw	1.39A	180W	220/1ph	1660	4m	68/65	29
HD 10E	12Kw	17A*	180W	380/3ph	1810	4m	69/66	28
HD 15A	-	1.39A	180W	220/1ph	2900	4m	71/68	35
HD 15W	16Kw	1.39A	180W	220/1ph	2700	4m	70/67	41
HD 15E	18Kw	26A*	180W	380/3ph	2640	4m	71/68	40
HD 20A	-	2.78A	360W	220/1ph	3620	4m	72/69	50
HD 20W	22Kw	2.78A	360W	220/1ph	3320	4m	71/68	58
HD 20E	24Kw	35A*	360W	380/3ph	3600	4m	72/69	56

\*per ph Suitable for 230/400/415V supply.

LTHW at 80/60°C

### DIMENSIONS

Model	Unit Dimensions		
	A mm	B mm	C mm
HD 10A	1100	350	250
HD 10W	1100	350	250
HD 10E	1100	350	250
HD 15A	1600	350	250
HD 15W	1600	350	250
HD 15E	1600	350	250
HD 20A	2200	350	250
HD 20W	2200	350	250
HD 20E	2200	350	250

### FIXING DETAILS

Model	Unit Fixing Positions					
	D mm	E mm	F mm	G mm	H mm	J mm
HD 10A	1040	245	1040	360	170	330
HD 10W	1040	245	1040	360	170	330
HD 10E	1040	245	1040	360	170	330
HD 15A	1540	245	1540	360	170	330
HD 15W	1540	245	1540	360	170	330
HD 15E	1540	245	1540	360	170	330
HD 20A	2140	245	2140	360	170	330
HD 20W	2140	245	2140	360	170	330
HD 20E	2140	245	2140 </td <td>360</td> <td>170</td> <td>330</td>	360	170	330

For HD 2 metre fixing details use HD 10 x 2

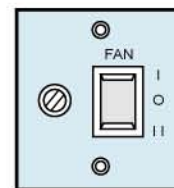
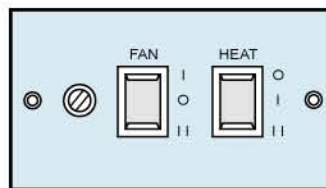
## Operating Instructions

Air Curtains are supplied with remote control panels as standard. These can either be flush or surface mounted.

Ambient and water heated units have a three position switch giving slow fan speed/ off / fast fan speed.

Electrically heated units are supplied with an extra three position heat switch offering off/ low heat/ high heat.

Each control panel can be used to control single or multiple units.



## Routine Maintenance

Electrically isolate the air curtain before removing the cover.

After six months the fan should be inspected to ensure there is no build up of dirt or other deposits on the impeller/ motor, electric heater/ water coil. Thereafter it should be checked periodically as experience indicates.

Check security of fixings during routine maintenance.

All Air Curtain fans have sealed for life bearings and no further lubrication is required.